

From \$8,700

MOTORIZED PROGRAMMABLE DRAWDOWN COATER

Customized for your needs

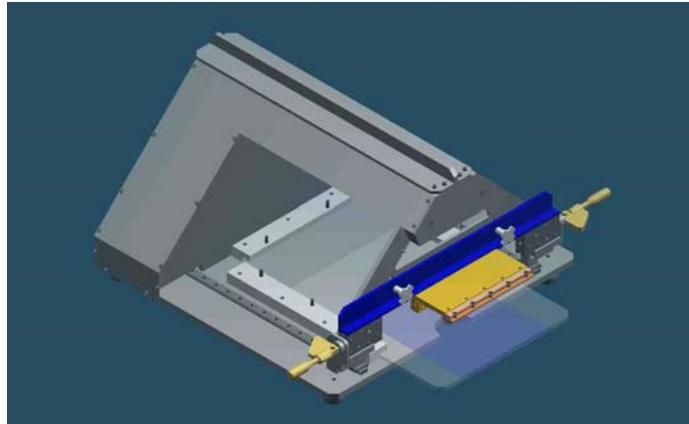
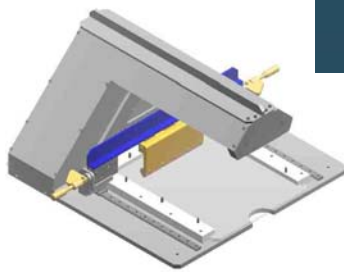
- Accurate repeatable samples made on polished glass plate.
- Multiple coating methods.
- Easy to operate with programmable servo motors and digital micrometers.
- Easy to clean and change.
- Ideal for research and process development.
- Reliable and durable for production environments.

3941 Holly Dr, Suite K Tracy, CA 95304

Phone: (209) 834-1900

Fax: (209) 834-1039

www.vitrom.com



MOTORIZED PROGRAMMABLE DRAWDOWN COATER

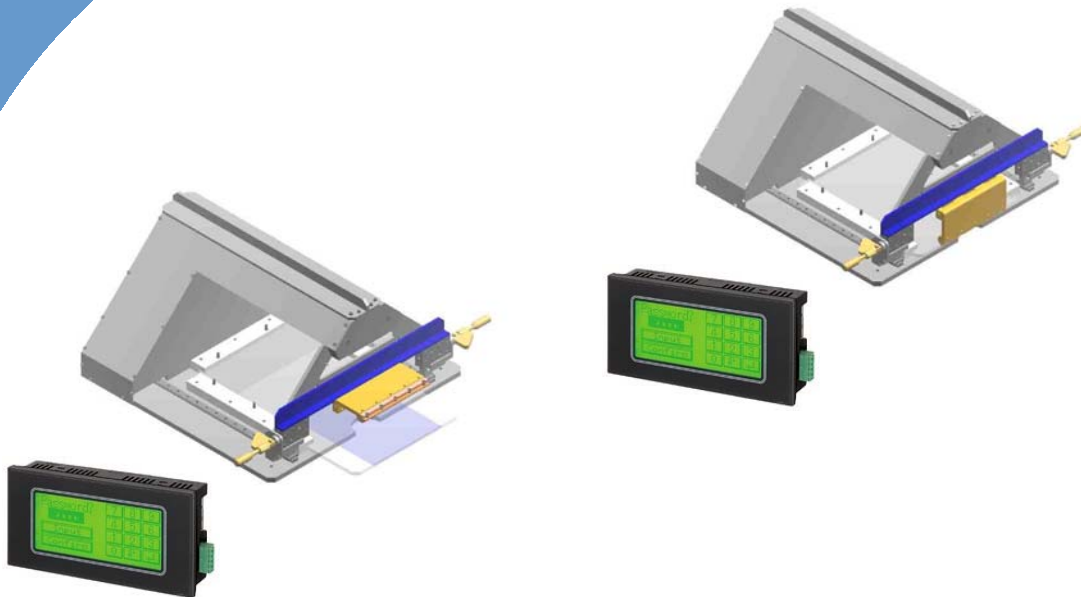
- Polished glass plate can be easily removed and installed on a spring load cradle assuring the same position for multiple passes.
- Drawdown working areas up to 24" in length and 14" width.
- Optional automatic slurry dispensing.
- System customized to your needs

3941 Holly Dr, Suite K Tracy, CA 95304

Phone: (209) 834-1900

Fax: (209) 834-1039

www.vitrom.com



MOTORIZED PROGRAMMABLE DRAWDOWN COATER

- 120 or 240 volts systems with detached operator interface and RS232 interface.
- Controls integrated with a PLC.
- Drawdown speeds to 20 ips (508 mm/s).
- Fully enclosed and interlocked for safety.
- System Customized to your needs.

3941 Holly Dr, Suite K Tracy, CA 95304
Phone: (209) 834-1900
Fax: (209) 834-1039
www.vitrom.com